

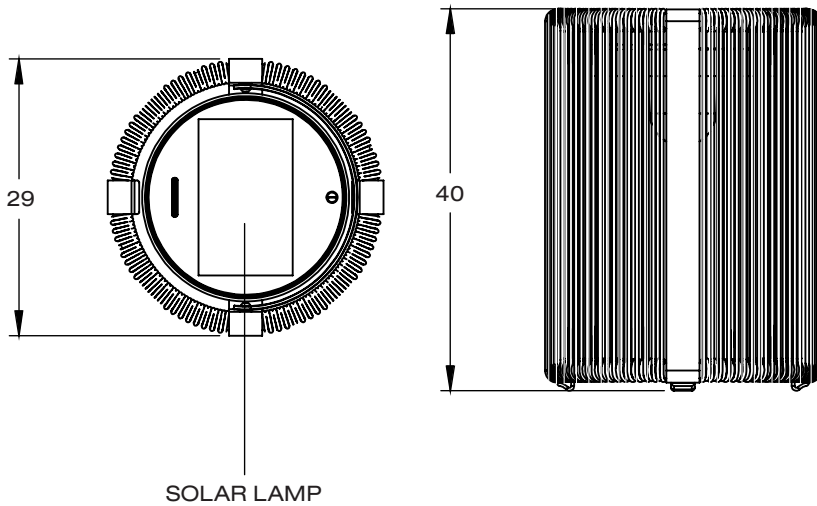
PRODUCT SHEET

ROPY

REF: RPY040...

ROYAL BOTANIA

indulge in finesse



SOLAR LAMP

TECHNICAL INFO

REFERENCE

RPY040AB
RPY040GG
RPY040SD




DIMENSIONS

WIDTH	Ø 29 CM
DEPTH	Ø 29 CM
HEIGHT	40 CM

MATERIALS

COATED ALUMINIUM

Aluminium is a non-ferrous metal, which combines great mechanical rigidity with light weight; this makes it especially suitable for making furniture. If treated correctly it has a good resistance to corrosion. One of the treatments is powder coating. After a chemical pre-treatment an epoxy powder is applied statically and baked.

-  COATED ALUMINIUM - ANTRACHITE
-  COATED ALUMINIUM - GREEN
-  COATED ALUMINIUM - SAND

POLYOLEFIN FIBRE

Olefin fibre is a synthetic fibre made from polyethylene. The advantage of this fibre is its strength, colour fastness and comfort. Also it is very resistant to staining and different weather conditions.

-  POLYOLEFIN ROPE - BRONZE
-  POLYOLEFIN ROPE - GREEN
-  POLYOLEFIN ROPE - DESERT

LIGHT SOURCE

LAMP	2,6W LED SOLAR LAMP + USB CHARGING
LIGHT OUTPUT	400lm
COLOR TEMPERATURE	2700K
IP-RATING	IP65

SOLAR LAMP SPECIFICATIONS

- SOLAR RECHARGEABLE
- USB RECHARGEABLE
COMES WITH A 1.8 METER USB CABLE
- BATTERY CAPACITY:
BINSOLS - 5 HOURS MAX.
BINSOLL - 8 HOURS MAX.
- TOUCH ON/OFF BUTTON
- ADJUSTABLE LIGHT INTENSITY THROUGH DIMMER FUNCTION
- COLOUR TEMPERATURE: WARM WHITE - 2700K
- UV RESISTANT

MAINTENANCE

<http://www.royalbotania.com/maintenance>

