




PRODUCT SHEET




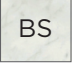




CONIX TABLE

REF: CNX3214

ROYAL 
BOTANIA
indulge in finesse

| | | | |
|--|--------------------|---|---------------------------|
| OVAL TABLE | | Ref: CNX 3214... | |
|  | 0,9 m ³ |  | CG: 281,7 kg C: 213 kg |
|  | 16-17 | | |



| | | CONCRETE |
|---------|---|--|
| | | CG  |
| CONC. |  | CNX 3214 BBCG • |
| |  | CNX 3214 CBCGWUM • |
| CERAMIC |  | CNX 3214 CBCGBS • |
| |  | CNX3214 CBCGCL • |
| |  | CNX 3214 CBCGVVB • |
| |  | CNX 3214 CBCGNM • |
| |  | CNX 3214 CBCGZUM • |